

| |
|----------------------------------|
| Specifier's Reference |
| Project |
| Type |
| Model No. |
| Comments or Special Instructions |

ILL-PA-21 END FITTING SPECIFICATION

APPLICATION

A small round walkover paver manufactured from stainless steel with frosted glass which is designed to be used with an 8mm smooth ferrule.

An M4 grub screw is used to secure the ferrule into the paver. An optional mounting spring can be used to secure this fitting in a ceiling, hollow wall or floor.

Our paver fittings are suitable for use in a variety of different applications and are the ideal solution to floor level lighting both indoors and outside.

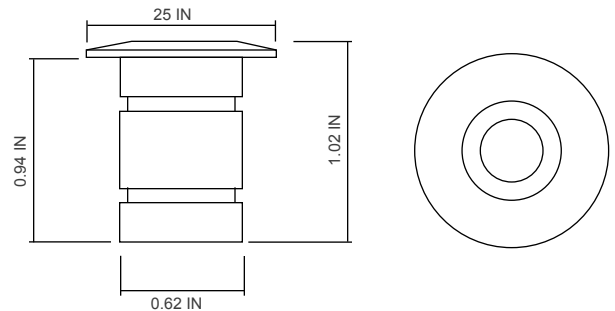
Uses include:

- Marker lighting for pathways and entrances
 - Wall washing, inside or out
 - Uplighting columns or archways
 - Mood lighting in any room in the house, including wet rooms and pool areas
- Paver fittings can be installed in many surfaces including wooden floors, decking, paving, stair skirting and concrete.



SPECIFICATION

| | |
|---------------------|------------------------------|
| Glass: | Ø13mm clear or frosted glass |
| Beam Angle: | 54° |
| Material: | Stainless steel |
| Colours available: | Natural |
| Flange size: | Ø25 mm |
| Weight: | 29.3 g |
| Mounting hole size: | Ø19 mm |
| Ferrule size: | 8mm smooth |
| Min. Fibre size: | Ø2 mm |
| Max. Fibre size: | Ø8 mm |
| Protection rating: | IP44 |



Ordering Information

ILL-PA-21CG (clear glass)

ILL-PA-21CG (frosted glass)

