

PROJECT	DATE
TYPE	QTY



ILL-PA-7

INDOOR/OUTDOOR FIBER OPTIC END FITTING

DESCRIPTION:

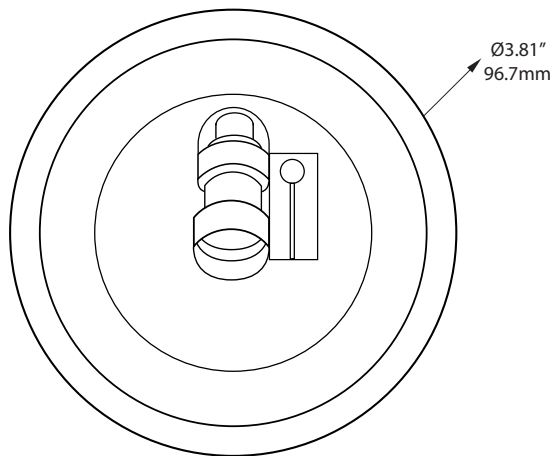
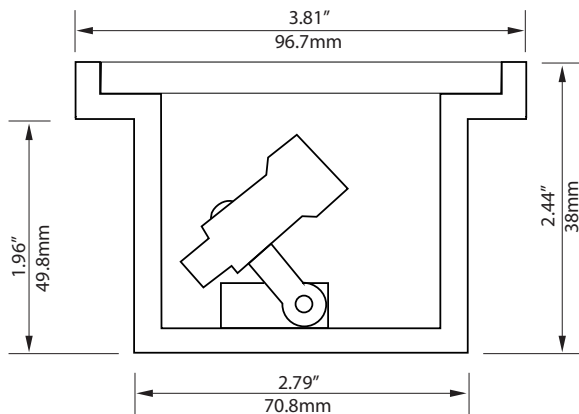
A large in ground directional paver manufactured from stainless steel with flat lens that comes with clear glass. This fixture has an internally mounted adjustable lens that allows light to be directed. Perfect for lighting artwork or sculptures.

USES:

- Marker lighting for pathways and entrances
- Wall washing, inside or out
- Up lighting columns or archways
- Mood or task lighting in any home interior and exterior
- Wooden Floors
- Decking
- Paving
- Stair skirting
- Concrete

SPECIFICATIONS:

Glass:	Clear
Beam Angle:	60°
Material:	Stainless Steel Natural or Chrome Finish
Weight:	917g
Flange Size:	Ø97mm
Mounting Hole Size:	Ø72mm
Ferrule Size:	M10 or 8mm Smooth
Min. Fiber Size:	Ø2mm
Max Fiber Size:	Ø8mm



ORDERING

MODEL

ILL-PA-7

3.81"

Stainless Steel
Fiber Optic End Fitting

ILLUMINATI

A DIVISION OF IMPACT LIGHTING INC.

2101 West Central Blvd. Orlando, Florida 32805 USA • Phone: 1.800.507.5714 • Email: sales@impactlightinginc.com

www.ledfiberopticlightsources.com