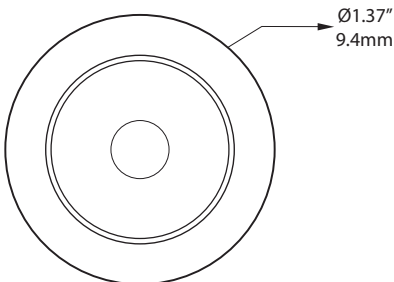
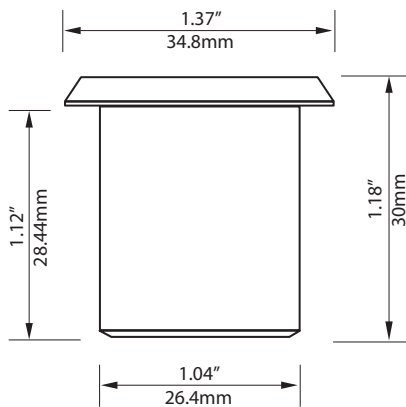


PROJECT	DATE
TYPE	QTY

INDOOR/OUTDOOR FIBER OPTIC END FITTING



ILL-PA-3



DESCRIPTION:

Manufactured from stainless steel this small round walkover paver light with a flat lens that comes with clear or frosted glass options. Clear glass gives greater light output allowing light to travel further, while the frosted glass creates a diffused marker light effect. Suitable for use in a variety of different applications these lights are the ideal solution for indoor and outdoor floor level lighting.

USES:

- Marker lighting for pathways and entrances
- Wall washing, inside or out
- Up lighting columns or archways
- Mood or task lighting in any home interior and exterior
- Wooden Floors
- Decking
- Paving
- Stair skirting
- Concrete

SPECIFICATIONS:

Glass:	Ø20mm clear or frosted glass
Beam Angle:	45°
Material:	Stainless Steel Natural Finish
Weight:	92.2g
Flange Size:	Ø35mm
Mounting Hole Size:	Ø28mm
Ferrule Size:	M10 or 8mm Smooth
Min. Fiber Size:	Ø2mm
Max Fiber Size:	Ø8mm

ORDERING | Example: ILL-PA-3-FG ILL-PA-3 with frosted glass lens

MODEL	LENS FINISH
ILL-PA-3 1.37" Stainless Steel Fiber Optic End Fitting	CG - Clear Glass FG - Frosted Glass

ILLUMINATI

A DIVISION OF IMPACT LIGHTING INC.

2101 West Central Blvd. Orlando, Florida 32805 USA • Phone: 1.800.507.5714 • Email: sales@impactlightinginc.com

www.ledfiberopticlightsources.com