

PROJECT	DATE
TYPE	QTY

INDOOR/OUTDOOR FIBER OPTIC END FITTING



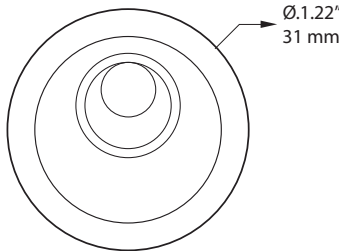
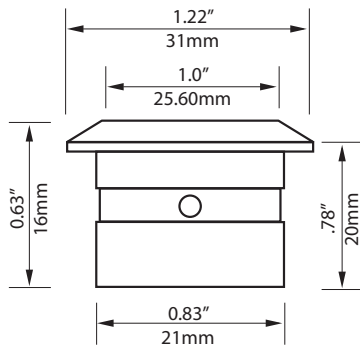
ILL-PA-22

DESCRIPTION:

This small round paver light manufactured from stainless steel is designed to be used with an 6mm smooth ferrule that is set at a 30° angle allowing light to be guided diagonally.

An M3 grub screw is used to secure the ferrule into the paver. An optional mounting spring can be used to mount this fitting into surfaces such as ceilings, hollow walls or floors.

Suitable for use in a variety of different applications these lights are the ideal solution for indoor and outdoor floor level lighting.



USES:

- Marker lighting for pathways and entrances
- Wall washing, inside or out
- Up lighting columns or archways
- Mood or task lighting in any home interior and exterior
- Wooden Floors
- Decking
- Paving
- Stair skirting
- Concrete

SPECIFICATIONS:

Glass:	Ø14mm clear
Beam Angle:	54°
Material:	Stainless Steel Natural Finish
Weight:	46.6g
Flange Size:	Ø31mm
Mounting Hole Size:	Ø22mm
Ferrule Size:	6mm Smooth
Min. Fiber Size:	Ø2mm
Max Fiber Size:	Ø5mm
Protection Rating:	IP44

ORDERING | Example: ILL-PA-22 - CG

MODEL

ILL-PA-22

1.22"

Stainless Steel
Fiber Optic End Fitting
with 30° Angled Lens.

ILLUMINATI

A DIVISION OF IMPACT LIGHTING INC.

2101 West Central Blvd. Orlando, Florida 32805 USA • Phone: 1.800.507.5714 • Email: sales@impactlightinginc.com

www.ledfiberopticalightsource.com