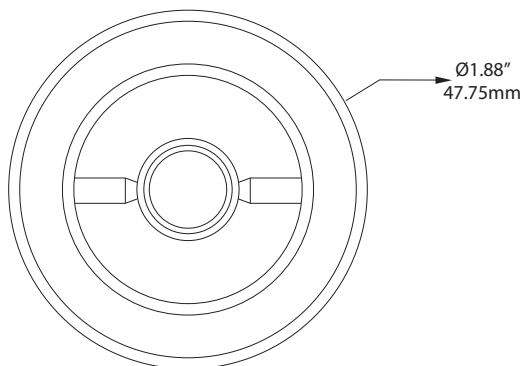
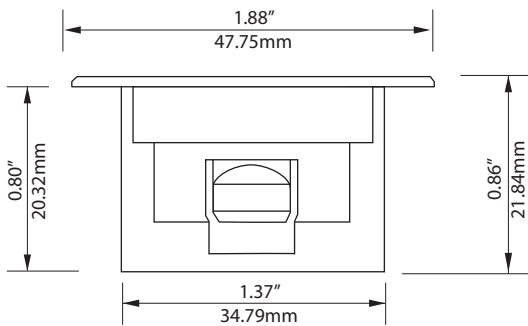


PROJECT	DATE
TYPE	QTY

## INDOOR/OUTDOOR FIBER OPTIC END FITTING



**ILL-PA-20**



### DESCRIPTION:

Manufactured from stainless steel this round paver light has an internal domed lens for a focused light beam. Clear or frosted lens options available, Clear glass gives greater light output while frosted creates more of a marker light effect. Suitable for use in a variety of different applications these lights are the ideal solution for indoor and outdoor floor level lighting.

### USES:

- Marker lighting for pathways and entrances
- Wall washing, inside or out
- Up lighting columns or archways
- Mood or task lighting in any home interior and exterior
- Wooden Floors
- Decking
- Paving
- Stair skirting
- Concrete

### SPECIFICATIONS:

Glass:	Clear or Frosted
Beam Angle:	40°-60°
Material:	Stainless Steel Natural Finish
Weight:	84.2g
Flange Size:	Ø48mm
Mounting Hole Size:	Ø36mm
Ferrule Size:	M10 or 8mm Smooth
Min. Fiber Size:	Ø2mm
Max Fiber Size:	Ø8mm

### ORDERING

MODEL	LENS FINISH
<b>ILL-PA-20</b>	

1.88"  
Stainless Steel  
Fiber Optic End Fitting  
with Internal Domed Lens

**CG** - Clear Glass  
**FG** - Frosted Glass

## ILLUMINATI

A DIVISION OF IMPACT LIGHTING INC.

2101 West Central Blvd. Orlando, Florida 32805 USA • Phone: 1.800.507.5714 • Email: sales@impactlightinginc.com

[www.ledfiberopticalightsource.com](http://www.ledfiberopticalightsource.com)