

ILLUMINATI'S FRAMING PROJECTOR

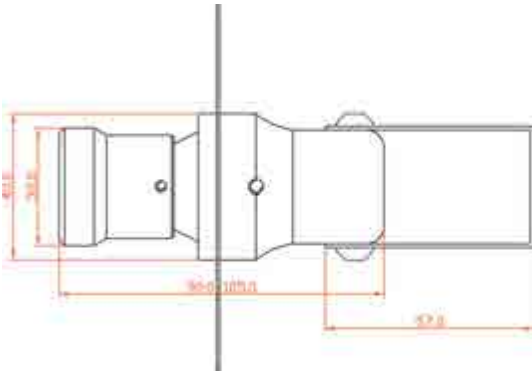
APPLICATION

The ILLUMINATI framing projector is used to frame an object or picture with a beam of light. The in-built shutters create a square or rectangular beam shape. By moving these, the size of the beam can be altered to perfectly frame the sides of a painting or an object. The shutters can also be moved in such a way to create a wedge of light rather than a simple rectangle. This can be useful to allow for parallax correction when the fitting is mounted above the illuminated object and shining down at an angle. The fitting is also focussable. By moving the lens tube backwards or forwards, the beam of light can be focussed from hard to soft.

These fittings are particularly suitable for use in museums and galleries where they can be used to safely illuminate perishable objects and pictures without the heat or UV associated with traditional lighting methods.

SPECIFICATION

Lens:	clear focusing lens
Focus range:	20° - 45°
Material:	Aluminium
Colours available:	White as standard - other colours available
Weight:	163 g
Mounting:	M6 screwfix through bracket
Ferrules size:	M10
Min. fibre size:	5 mm
Max. fibre size:	8 mm



Specifier's Reference

Project

Type

Model No.

Comments or Special Instructions



Ordering Information

ILL-FP

