

Specifier's Reference
Project
Type
Model No.
Comments or Special Instructions

ILL-DF-6 DOWNLIGHT FITTING

APPLICATION

small surface mount, trumpet style downlight. Supplied with mounting bracket.

Available in a range of finishes, this fitting can be rotated and tilted to point directly at any objects to be illuminated. The light beam from this fitting is focusable. Also suitable for mounting in the base of a display case and illuminating upwards. Suitable for use where access above or below the mounting surface is not available.

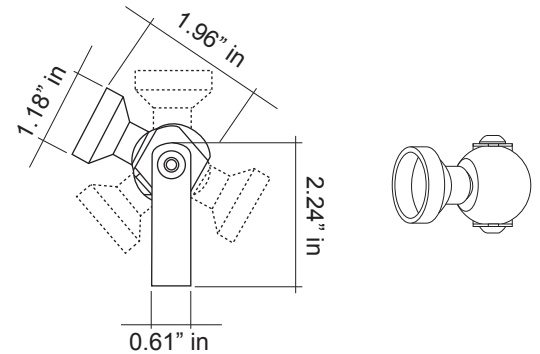
Our downlight fittings are suitable for use in a variety of different applications and are the ideal solution for the illumination of static objects within a display case or cabinet.

Uses include:

- Museum and gallery cabinet and display lighting
- Accentuation of pictures and other objects
- Illumination of shop displays

SPECIFICATION

Lens:	Clear focusing lens
Material:	Aluminium, stainless steel or polycarbonate
Colours available:	Polished aluminium, black, white
Focus range:	25° - 45°
Trumpet size:	Ø30 mm
Tilt:	360°
Weight:	121.1g (stainless steel), 37.7g (polycarbonate), 58.5g (aluminium)
Mounting Recessed:	M6 screwfix with bracket
Ferrule size:	M10 or 8 mm smooth
Min. fibre size:	2 mm
Max. fibre size:	8 mm



Ordering Information

- ILL-DF-6CG-AL (clear glass-Aluminum)
- ILL-DF-6CG-SS (clear glass-Stainless Steel)
- ILL-DF-6CG-P (clear glass-Polycarbonate)

