

Specifier's Reference
Project
Type
Model No.
Comments or Special Instructions

ILL-DF-4 DOWNLIGHT FITTING

APPLICATION

An adjustable downlight fitting with trumpet, secured through ceiling with spring clips.

Available in a range of finishes, this fitting can be rotated and tilted to point directly at any objects to be illuminated. The fitting also allows for the light beam to be focused. The fitting is also suitable for mounting in the base of a display case and illuminating upwards.

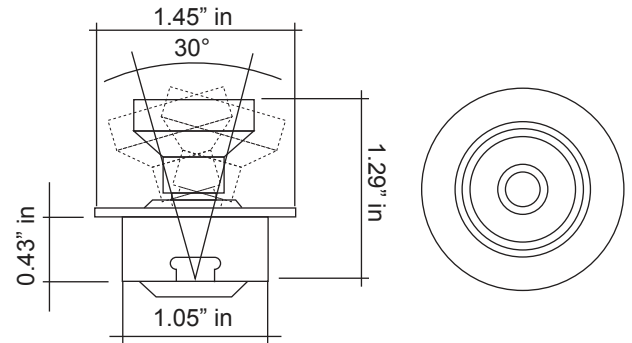
Our downlight fittings are suitable for use in a variety of different applications and are the ideal solution for the illumination of static objects within a display case or cabinet.

Uses include:

- Museum and gallery cabinet and display lighting
- Accentuation of pictures and other objects
- Illumination of shop displays

SPECIFICATION

Glass:	Clear focusing lens
Material:	Aluminium, stainless steel or polycarbonate/ABS
Colours available:	Polished aluminum, chrome, black, white, ivory, polished stainless steel
Focus range:	25° - 45°
Flange size	Ø50 mm
Tilt:	28°
Rotate:	360°
Weight:	140.7g (stainless steel), 28.1g (polycarbonate), 57.4g (aluminium)
Mounting hole size:	40 mm
Mounting:	Recessed, held by springs
Ferrule size:	M10 or 8 mm smooth
Min. Fibre size:	2 mm
Max. Fibre size:	8 mm



Ordering Information

- ILL-DF-4CG-AL (clear glass-Aluminum)
- ILL-DF-4CG-SS (clear glass-Stainless Steel)
- ILL-DF-4CG-ABS (clear glass-Polycarbonate)

