

Specifier's Reference
Project
Type
Model No.
Comments or Special Instructions

ILL-DF-13 DOWNLIGHT FITTING

APPLICATION

A mini adjustable downlight fitting with trumpet which is primarily used in our range of light bar systems and mounting extrusions.

Available in a range of finishes, this fitting can be rotated and tilted to point directly at any objects to be illuminated. The fitting also allows for the light beam to be focused.

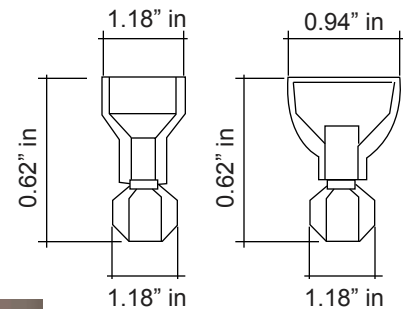
Our downlight fittings are suitable for use in a variety of different applications and are the ideal solution for the illumination of static objects within a display case or cabinet.

Uses include:

- Museum and gallery cabinet and display lighting
- Accentuation of pictures and other objects
- Illumination of shop displays

SPECIFICATION

Lens:	Clear focusing lens
Material:	Acrylic
Colours available:	Black as standard
Flange Size:	Ø16 mm
Overall Tilt:	60°
Rotate:	360°
Weight:	ILL-DFA-13 - 3.2g, ILL-DFA-13 - 5.5g
Mounting hole size:	14 mm
Ferrule size:	Custom ferrule
Min. fibre size:	1 mm
Max. fibre size:	3 mm



Ordering Information

ILL-DFA-13
ILL-DFB-13

