

Specifier's Reference
Project
Type
Model No.
Comments or Special Instructions

# ILL-DF-10 DOWNLIGHT FITTING

## APPLICATION

A fixed lens downlight fitting with smooth ange, secured through ceiling with spring clips.

Available in a range of finishes, this fitting allows for the light beam to be focused. The fitting is also suitable for mounting in the base of a display case and illuminating upwards.

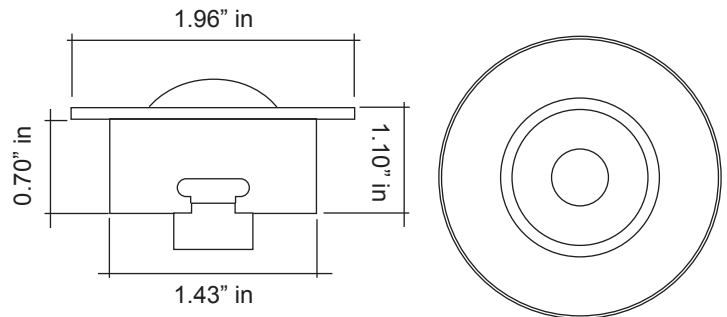
Our downlight fittings are suitable for use in a variety of different applications and are the ideal solution for the illumination of static objects within a display case or cabinet.

Uses include:

- Museum and gallery cabinet and display lighting
- Accentuation of pictures and other objects
- Illumination of shop displays

## SPECIFICATION

Lens:	Clear focusing lens
Material:	Aluminium, (stainless steel option available to special order)
Colours available:	Polished aluminium, chrome, black, white
Focus range:	20° - 45°
Flange size:	Ø50 mm
Weight:	44.4g (aluminium)
Mounting hole size:	40 mm
Mounting:	Recessed, held by springs
Ferrule size:	M10 or 8 mm smooth
Min. fibre size:	2 mm
Max. fibre size:	8 mm



## Ordering Information

ILL-DF-10CG-AL (clear glass-Aluminum)

\*ILL-DF-10CG-SS (clear glass-Stainless Steel) - special order

