

Specifier's Reference
Project
Type
Model No.
Comments or Special Instructions

# ILL-DF-1 DOWNLIGHT FITTING

## APPLICATION

A wet area spotlight constructed from stainless steel and supplied with mounting bracket.

Suitable for use in water features, walls, gardens and other areas where a spotlight or narrow beam of light is desired. Can be mounted to any surface using the supplied bracket or can be used with a ground spike fitting for placement in the ground.

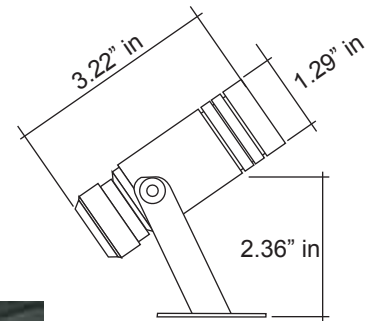
These fittings are suitable for use in a variety of different applications and as well as wet area applications, they are the ideal solution for the illumination of static objects within a display case or cabinet where a spotlight is required.

Uses include:

- Outdoor and wet area spotlights
- Cabinet and display lighting
- Illumination of shop displays

## SPECIFICATION

Glass:	Clear focusing lens
Focus range:	12° - 22°
Material:	Stainless steel
Colours available:	Stainless steel
size:	Ø33 mm
Weight:	281.6 g
Mounting:	M6 screwfix through bracket
Ferrule size:	M10
Min. Fibre size:	5 mm
Max. Fibre size:	8 mm



## Ordering Information

ILL-DF-1CG (clear glass)

