

ILL-DSF-7 DECORATIVE SPARKLE FIXTURE

APPLICATION

Small conical fittings made from polycarbonate for star effects. Supplied with back washer which can be

Has a dome shaped profile. Supplied with an back washer which can be optionally fitted. optionally fitted.

Needs only a countersunk hole. For outdoor use we recommend using sheathed 1mm fibre for protection.

Not as suitable for ceilings as the fibre is slightly recessed and will not be as visible from head height unless the ceiling is quite high.

SPECIFICATION

Material:	Polycarbonate
Colours available:	Clear
Size:	5.5 mm
Weight:	0.1 g
Mounting hole size:	3 mm
Fibre size:	0.75 mm, 1 mm, 1.5 mm polymer

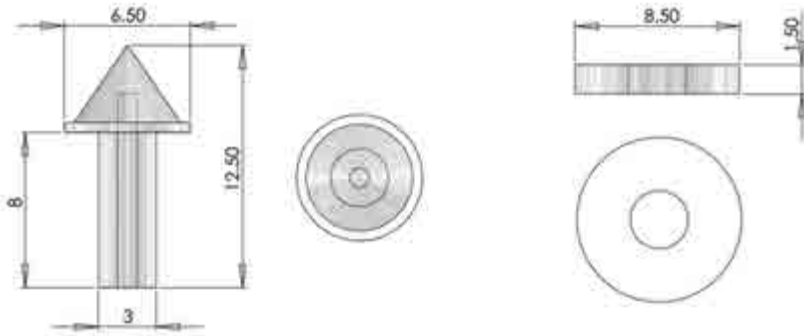
Specifier's Reference

Project

Type

Model No.

Comments or Special Instructions



Ordering Information

ILL-DSF-7

