

Specifier's Reference
Project
Type
Model No.
Comments or Special Instructions

ILL-DSF-5 DECORATIVE SPARKLE FIXTURE

APPLICATION

A flanged sparkle point fitting which is available in plastic for indoor use or stainless steel for outdoor use.

Flange available in a variety of colours. A stainless steel version with a threaded back is also available.

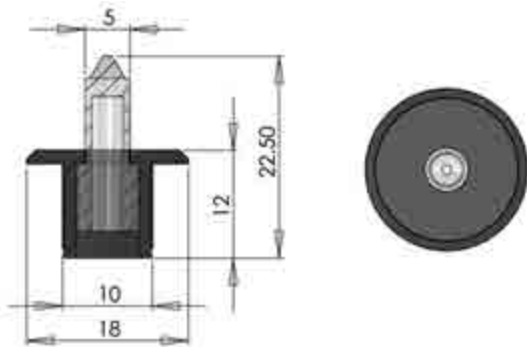
This fitting is popular with signmakers and for ease of installation in ceilings.

As an optional extra, we can supply accessory tubes which allow mounting these fittings through single or double skinned ceilings.

These are available in 25mm, 80mm or 135mm lengths.

SPECIFICATION

Material:	Acrylic
Colours available:	Clear body with flange in either stainless steel chrome black white ivory
Size:	18 mm
Weight:	1.2 g
Mounting hole size:	10 mm
Ferrule size:	Size 1 crimp
Fibre size:	1mm active diameter



Ordering Information

ILL-DSF-5

