

Specifier's Reference
Project
Type
Model No.
Comments or Special Instructions

# ILL-DSF-3 DECORATIVE SPARKLE FIXTURE

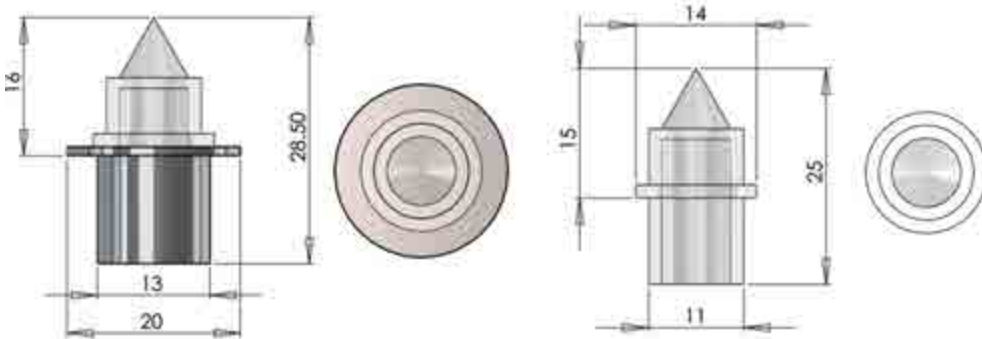
## APPLICATION

An acrylic sparkle point for an M8 ferrule.

Manufactured from clear acrylic, ILL-DSF3A is supplied as a sparkle bullet only. The ILL-DSF3B is identical but additionally has a coloured flange.

## SPECIFICATION

Material:	Polycarbonate	Polycarbonate
Colours available:	Clear	Clear body with coloured flange in black, white or chrome
Size:	14 mm	20 mm
Weight:	1.3 g	2.1 g
Mounting hole size:	11 mm	13 mm
Ferrule size:	M8	M8
Min. fibre size:	2 mm	2 mm
Max. fibre size:	4.5 mm	4.5 mm



## Ordering Information

ILL-DSF-3A  
ILL-DSF-3B

