

Specifier's Reference
Project
Type
Model No.
Comments or Special Instructions

ILL-SF-4C SUBMERSION FITTING

APPLICATION

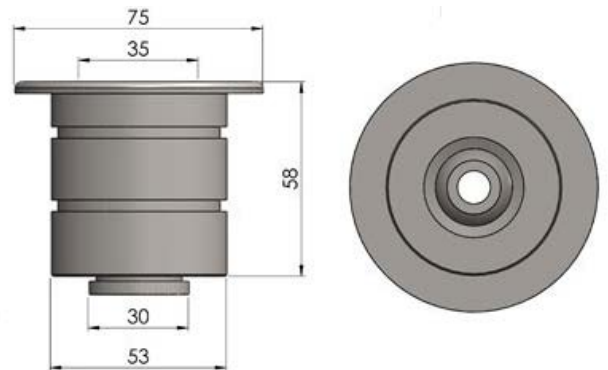
A large submersible eyeball fitting manufactured from stainless steel with a front mounted flat lens and a rear adjustable ball.

Suitable for fitting into CP2 pool pipe for more accurate and easier installation.

Can be installed in constant immersion settings such as swimming pools, ponds and water features.

SPECIFICATION

Glass:	Ø35mm flat front with rear focusing eyeball
Material:	Stainless steel
Colours available:	Natural
Flange size:	Ø75mm
Weight:	681g
Ferrule size:	M10 or 8mm smooth
Min. fibre size:	Ø2mm
Max. fibre size:	Ø8mm



Ordering Information

ILL-SF-4C

