

PROJECT	DATE
TYPE	QTY

## INDOOR/OUTDOOR FIBER OPTIC END FITTING



**ILL-PA-2**

### DESCRIPTION:

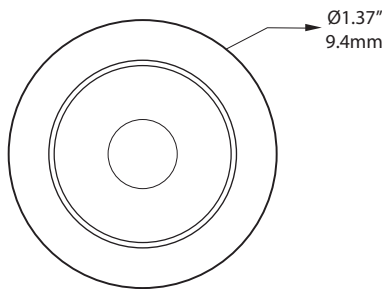
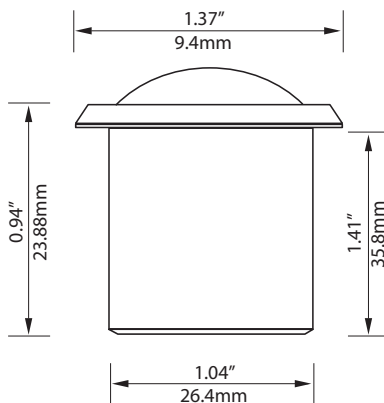
Manufactured from stainless steel this small round paver light with a domed lens comes with clear or frosted glass options. Clear glass gives greater light output allowing light to travel further, while the frosted glass creates a diffused marker light effect. Suitable for use in a variety of different applications these lights are the ideal solution for indoor and outdoor floor level lighting.

### USES:

- Marker lighting for pathways and entrances
- Wall washing, inside or out
- Up lighting columns or archways
- Mood or task lighting in any home interior and exterior
- Wooden Floors
- Decking
- Paving
- Stair skirting
- Concrete

### SPECIFICATIONS:

Glass:	Ø26mm clear or frosted glass
Beam Angle:	60°
Material:	Stainless Steel Natural Finish
Weight:	80g
Flange Size:	Ø35mm
Mounting Hole Size:	Ø27mm
Ferrule Size:	M10 or 8mm Smooth
Min. Fiber Size:	Ø2mm
Max Fiber Size:	Ø8mm



**ORDERING** | Example: ILL-PA-2-FG ILL-PA-2 with frosted glass lens

MODEL	LENS FINISH
ILL-PA-2 1.37" Stainless Steel Fiber Optic End Fitting with Domed Lens	CG - Clear Glass FG - Frosted Glass

## ILLUMINATI

A DIVISION OF IMPACT LIGHTING INC.

2101 West Central Blvd. Orlando, Florida 32805 USA • Phone: 1.800.507.5714 • Email: sales@impactlightinginc.com

[www.ledfiberopticlightsources.com](http://www.ledfiberopticlightsources.com)