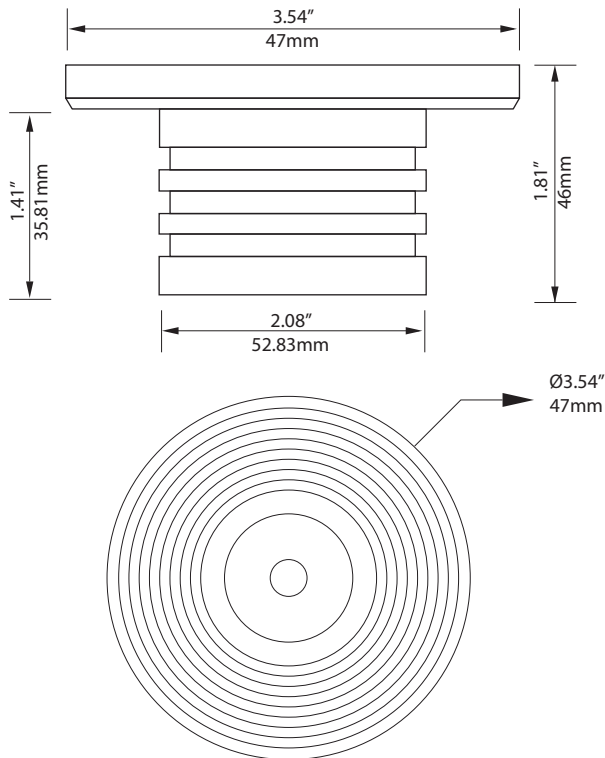


PROJECT	DATE
TYPE	QTY

## INDOOR/OUTDOOR FIBER OPTIC END FITTING



**ILL-PA-18**



### DESCRIPTION:

Manufactured with toughened clear or frosted glass, this stainless steel round walkover paver light is especially useful in high traffic areas. A ribbed flange helps prevent slipping in wet areas and can be used with pool pipe to aid installation in concrete or tarmac.

Suitable for indoor and outdoor floor level lighting applications

### USES:

- Marker lighting for pathways and entrances
- Wall washing, inside or out
- Up-lighting columns or archways
- Mood or task lighting in any home interior and exterior
- Wooden Floors
- Decking
- Paving
- Stair skirting
- Concrete

### SPECIFICATIONS:

Glass:	clear or frosted glass
Beam Angle:	70°
Material:	Stainless Steel Natural Finish
Weight:	762.1g
Flange Size:	Ø90mm
Mounting Hole Size:	Ø54mm
Ferrule Size:	M10 or 8mm Smooth
Min. Fiber Size:	Ø2mm
Max Fiber Size:	Ø8mm

**ORDERING** | Example: ILL-PA-18-CG ILL-PA-18 with clear glass lens

MODEL	LENS FINISH
ILL-PA-1	
1.85" Stainless Steel Fiber Optic End Fitting	<b>CG</b> - Clear Glass <b>FG</b> - Frosted Glass

## ILLUMINATI

A DIVISION OF IMPACT LIGHTING INC.

2101 West Central Blvd. Orlando, Florida 32805 USA • Phone: 1.800.507.5714 • Email: sales@impactlightinginc.com

[www.ledfiberopticalightsource.com](http://www.ledfiberopticalightsource.com)