

Specifier's Reference
Project
Type
Model No.
Comments or Special Instructions

# ILL-DSF-2 DECORATIVE SPARKLE FIXTURE

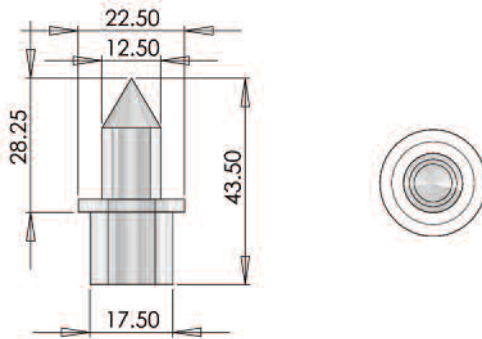
## APPLICATION

A large sparkle point with a recessed flange. Supplied with spring clips for securing through a ceiling.

Ideal for star ceiling effects on very high ceilings.

## SPECIFICATION

Material:	Polycarbonate
Colours available:	Clear
Size:	12.5 mm
Weight:	5.9 g
Mounting hole size:	18 mm
Ferrule size:	M10
Min. 6bre size:	2 mm
Max. 6bre size:	8 mm



## Ordering Information

# ILL-DSF-2

