

PROJECT	DATE
TYPE	QTY

80W IP67 OUTDOOR FIBER OPTIC LED ILLUMINATOR

ION-8000



DESCRIPTION:

The ION-8000 series LED Fiber Optic Light Source is an 80 watt 24V multi-controllable and configurable fiber optic illuminator for the architectural and commercial lighting, sign and pool & spa markets. It can be configured with white light or RGB+W LEDs with a *stand-alone program, DMX, RS232 Serial or RF. LED options include RGB+W. Cool White and Warm White. Discreet colors upon special order, contact the factory for availability. The ION-8000 features no serviceable or moving parts.

The fanless SynJet® Cooler provides for quiet and efficient heat sink cooling with a frictionless oscillating diaphragm.

A 120W/24V power supply rated for 100-240VAC and 277VAC for North America only is included. Optional dimming transformer is available.

*Stand-alone program / SB - Smart Board option:

Advance through the color programs by toggling the ON/OFF switch. Blue/White/Cyan/Green/Magenta/Red/Gold/Smooth Color Cycle Through All Colors.

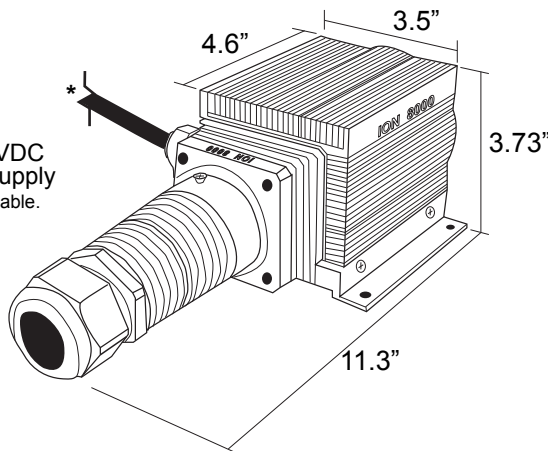
SPECIFICATIONS

PARAMETER	MAX RATING
Input voltage	100-240VAC / 277VAC
Amps	4 Amps
Wattage	100 W Max
Power supply	24V DC Class 2
Hz	50/60
Fiber capacity	1000
Operating temperature	-10°C to 80° C
Weight	7 lbs
Outdoor rating	IP67
Housing	Aluminum

PHOTOMETRICS

LED	Lumens @ 700ma
WW	2650 lm
CW	4400 lm
RGBW	3465 lm (R=765 G=920 B=230 W=1550)

* Standard 6ft. 24VDC Cable to Power Supply (Longer lengths available. Contact factory)



Includes 100W Power Supply
100-240VAC /24VDC
8.5" x 2.75" x 1.5"



ION-8000 : 80W LED Fiber Optic Illuminator

MODEL #	DESCRIPTION	RGB+ 5W ACCESSORIES
<input type="checkbox"/> ION- 8000 - WW	Warm White 3000K 98CRI	RF - RF Controller + Handheld Remote
<input type="checkbox"/> ION- 8000 - CW	Cool White 5500K 98CRI	DMX4 - 4 Channel DMX512 Decoder for RGB+W
<input type="checkbox"/> ION- 8000 - RGBW-SB	RGB+W LED Smart Board 2 Wire w/ toggle ON/OFF Color Control (Built-in Programs)	DE3 - STICK-DE3 DMX Wall Controller
<input type="checkbox"/> ION- 8000 - RGBW-5W	5 Wire for RGB+W (For RF, DMX or RS232 controllers)	RS232 - Advanced RS232 Serial Controller
		EPICWIFI - WiFi for Advanced RS232 Serial Cont.

IMPACT LIGHTING INC.

3100 Pennington Road., Orlando, Florida 32804 USA • Phone: 1.800.507.5714 • Email: sales@impactlightinginc.com

www.ImpactLightingInc.com